

# QSDC-8000-12000-40-15-S

## 8~12GHz, 40W, 15dB

**Features:**

- \* Broadband
- \* Low Insertion Loss

**Applications:**

- \* Amplifiers
- \* Transmitter
- \* Laboratory Test
- \* Radar

**Electrical**

Frequency:	8~12GHz
Insertion Loss:	0.8dB max.
Coupling:	15±1dB
Coupling Flatness:	±1dB max.
Directivity:	12dB min.
VSWR:	1.5 max.
Average Power:	40W max.

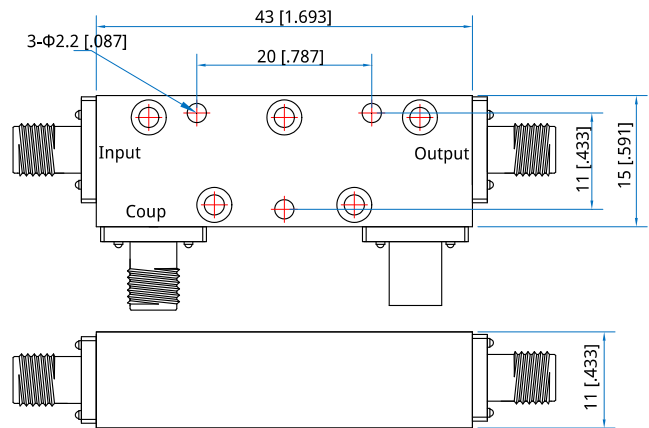
**Mechanical**

Size*1:	43*15*11mm 1.693*0.591*0.433in
Connectors:	SMA Female
Mounting:	3-Φ2.2mm through-hole

[1] Exclude connectors and terminations.

**Environmental**

Temperature:	-45~+85°C
--------------	-----------

**Outline Drawings**


Unit: mm [in]

Tolerance: ±0.3mm [±0.012in]

**How To Order**

**QSDC-8000-12000-40-15-S**

Customization is available upon request.